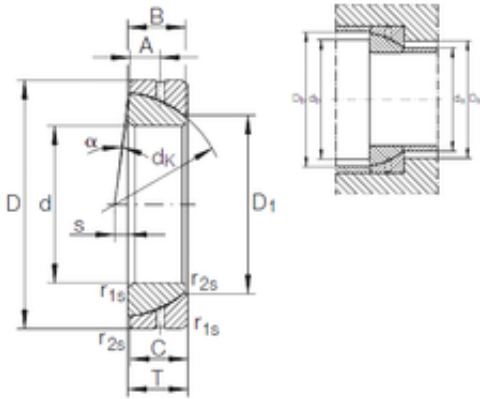


90 mm x 140 mm x 30 mm INA GE 90 SX plain bearings



GE 90 SX Bearing 2D drawings and 3D CAD models

Bearing No. GE 90 SX

Size	90x140x32 mm
Bore Diameter	90 mm
Outer Diameter	140 mm
Width	32 mm
d	90 mm
D	140 mm
T	32 mm
B	30 mm
C	30 mm
dk	130 mm
r1 min.	2 mm
r2 min.	0,6 mm
A	16 mm
D1	103,3 mm
S	11 mm
da max	100,8 mm
Da min	112 mm
db min	118 mm
Db min.	132 mm
Angle	1,8 °
Weight	2,1 Kg
Basic dynamic load rating (C)	313 kN